

## Multi-Jet Cold/Hot Water Meter Model M201



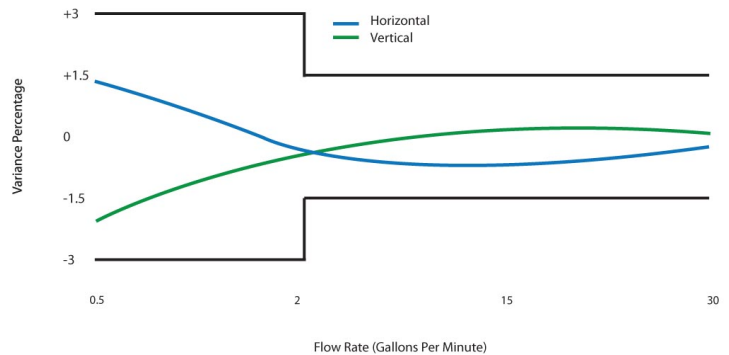
### Features include:

- Meets AWWA C708 accuracy standards in a horizontal or vertical position.
- NSF/ANSI 372 Certified and Marked.
- Sealed register for tamper resistance.
- Meter body made of the highest grade polymer with a weight of just 18 oz.
- Pulse output
- Pre-wired connector and mounting plate to enable plug and play set-up.

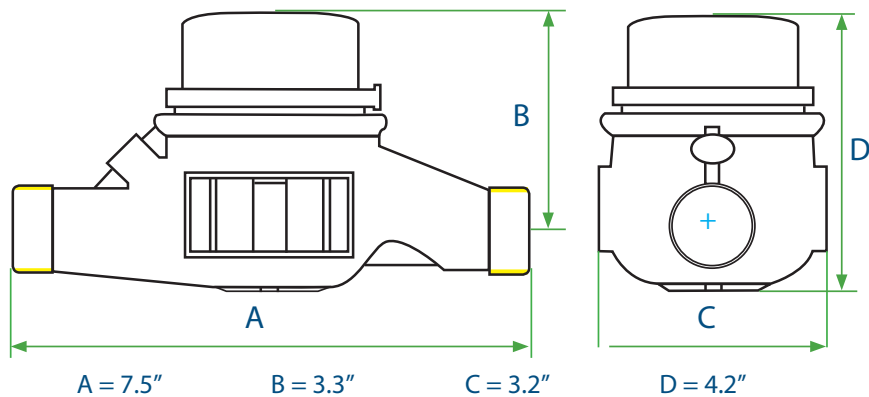
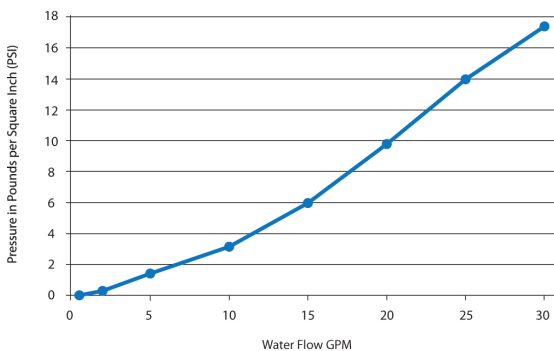
### Specifications:

Max Flow Rate	30 gpm
Normal flow range (+/- 1.5%)	2-25 gpm
Min Flow Rate (+/- 3%)	0.50 gpm
Max working pressure	150 psi
Max working temp	194° F
Nominal pipe size	¾"
Main Case Material	Glass Reinforced Nylon Polymer
Weight	18 oz.
Pulse Value	1/10gal

NCSS M201 Accuracy Curve for Cold/Hot Water



Next Century M201 Pressure Loss



For specific installation instructions, please refer to the NextCentury Installation Instructions for the M201 Series Water Meters.

[www.nextcenturymeters.com](http://www.nextcenturymeters.com) | [sales@nextcenturymeters.com](mailto:sales@nextcenturymeters.com)

# NextCentury™ SUBMETERING SYSTEMS



NextCentury is transforming sub-metering technology to work efficiently for you. We provide full-featured, dependable equipment at reasonable prices. We've worked with users every step of the design process to provide equipment that is the easiest to install and maintain.



## Transceiver & Repeater

- Transceiver mounts directly on the NextCentury Meter.
- Transceiver is compatible with any standard pulse output measuring device.
- Repeaters increase coverage by amplifying signals in the mesh network.
- Battery monitoring technology provides long lasting battery life.



## Gateway

- Collects, stores, and delivers usage and status data from system components.
- Enables advanced monitoring of unit consumption through dynamic reporting.
- 7 inch touch screen



## M201 Water Meter

- Meets AWWA C708 accuracy standards in a horizontal or vertical position.
- NSF/ANSI Standard 61/372 Tested and Certified.

## Equipment Specifications

### Transceiver

Dimensions	<ul style="list-style-type: none"> <li>74.7mm x 40.3mm x 29.1mm</li> <li>2.9in x 1.6in x 1.1"</li> </ul>
Operating Environment	<ul style="list-style-type: none"> <li>-28C - 60C</li> <li>-20F - 140F</li> <li>Up to 90% relative humidity (non-condensing)</li> </ul>
Power Requirements	<ul style="list-style-type: none"> <li>CR123A (2/3 A-size) 3V lithium battery                             <ul style="list-style-type: none"> <li>Widely available camera battery</li> </ul> </li> <li>Typical Battery Life - 6 years average                             <ul style="list-style-type: none"> <li>Typical Battery life assumes constant operating temperatures are between 70F - 90F. Battery life may be reduced with operating temperatures outside of this range.</li> </ul> </li> </ul>
Compatibility	<ul style="list-style-type: none"> <li>Compatible with all standard pulsed output meters (gas, water, electric, etc.)</li> <li>Contact NextCentury Meters for specific compatibility</li> </ul>
Communications	<ul style="list-style-type: none"> <li>900mHz extended long distance radios</li> <li>FCC Certified</li> <li>Integrated Encryption Engine</li> <li>Signal strength detection for dynamic power levels to increase battery life</li> </ul>
Data Resolution	<ul style="list-style-type: none"> <li>Typical 12 hour interval                             <ul style="list-style-type: none"> <li>Adjustable up to 15 minutes</li> <li>Integrated leak and drip detection</li> </ul> </li> </ul>

### Repeater

Dimensions	<ul style="list-style-type: none"> <li>102.7mm x 65.75mm x 22.7mm</li> <li>4in x 2.6in x .9in</li> </ul>
Operating Environment	<ul style="list-style-type: none"> <li>-28C - 60C</li> <li>-20F - 140F</li> <li>Up to 90% relative humidity (non-condensing)</li> </ul>
Power Requirements	<ul style="list-style-type: none"> <li>120/240 VAC wall transformer (Included)</li> <li>Alerts via email or sms text message of loss of power</li> </ul>
Compatibility	<ul style="list-style-type: none"> <li>Compatible with all Next Century radio equipment</li> </ul>
Communications	<ul style="list-style-type: none"> <li>900mHz extended long distance radios</li> <li>FCC Certified</li> <li>Integrated Encryption Engine</li> <li>2-way self-healing mesh network</li> </ul>

All RF equipment complies with part 15 of the FCC Rules. Operation is subject to the following two conditions: (1) This device may not cause harmful interference, and (2) this device must accept any interference received, including interference that may cause undesired operation.

### Gateway

Dimensions	<ul style="list-style-type: none"> <li>223.2mm x 164.4mm x 36.8mm</li> <li>8.8in x 6.5in x 1.5in</li> </ul>
Operating Environment	<ul style="list-style-type: none"> <li>-28C - 60C</li> <li>-20F - 140F</li> <li>Up to 90% relative humidity (non-condensing)</li> </ul>
Power Requirements	<ul style="list-style-type: none"> <li>120/240 VAC wall transformer (Included)</li> </ul>
Compatibility	<ul style="list-style-type: none"> <li>Compatible with all Next Century radio equipment</li> <li>Compatible with select 3rd party sub-metering equipment</li> </ul>
Communications	<ul style="list-style-type: none"> <li>900mHz extended long distance radios</li> <li>FCC Certified</li> <li>Integrated Encryption Engine</li> <li>2-way self-healing mesh network</li> <li>Ethernet 802.3 10/100                             <ul style="list-style-type: none"> <li>Secured virtual tunneling technology for data security</li> </ul> </li> <li>Wifi 802.11 a/b/ g/n                             <ul style="list-style-type: none"> <li>Secured virtual tunneling technology for data security</li> </ul> </li> <li>Cellular modem (Coming Soon)</li> </ul>

### Software

Web Interface	<ul style="list-style-type: none"> <li>Intuitive web interface.</li> <li>Eliminates the hassle of installing and maintaining complicated desktop software.</li> <li>Easily setup and manage every aspect of your sub-metering system from any computer, tablet, or phone.</li> <li>Increased data availability improves utility billing accuracy.</li> </ul>
Powerful Reporting	<ul style="list-style-type: none"> <li>See a big picture view of your system health.</li> <li>View individual system components.</li> <li>Easily manage users, information, reports, and device status.</li> <li>Use the standard reporting package or create your own reports online.</li> <li>Customizable email report subscriptions.</li> </ul>
Robust Restful API	<ul style="list-style-type: none"> <li>Free web API available for data integration.</li> <li>Up-to-date documentation and support.</li> </ul>